



ET18

Tracked Conventional Tail Excavators



ET18 – The evolution of your working world.

Wacker Neuson sets new standards for compact excavators with its new generation of models in the 1.7 through 2.4 t class. Tried and tested innovations are retained and combined with completely new development approaches. The result: A comprehensively renewed machine class right down to the finest details, which promises greater efficiency and performance.

- Innovative, newly designed cab: The redeveloped cab of the ET range sets new standards in terms of clear layout, safety and user comfort with its completely redesigned interior.
- Powerful and efficient performance: The big diesel engines and new, innovative hydraulic system set new standards of operation.
- Maximum connection facilities with up to 4 auxiliary control circuits: Up to 4 additional control circuit options are available ex-works for all models of the ET range.
- Every ET model has its own, optimized undercarriage to guarantee maximum stability and superior drive characteristics in tough everyday conditions.
- Every ET model has its own, optimized boom system with different dipper stick lengths: Thanks to the strong boom system with a choice of two optional dipper stick lengths, every machine achieves maximum digging strength and excavation values.



Technical specifications

Operating data

Shipping weight min.	1,582 kg
Operating weight	1,725 - 2,203 kg
Biting force max.	11.2 kN
Breakaway force max.	18.8 kN
Digging depth max. max.	2,397 mm
Dumping height	2510 - 2722 mm
Digging radius max. max.	3,989 mm
Superstructure slewing speed	10 1/min
L x W x H	3854 x 990 x 2289 mm

Engine / Motor

Engine / Motor manufacturer	Yanmar
Engine / Motor type	3TNV76
Engine / Motor	Water-cooled 3-cylinder diesel engine
Displacement	1,116 cm ³
RPM / speed	2,200 rpm
Engine performance acc. to ISO	13.4 kW
Battery Voltage	44 Ah
Tank capacity	24 l

Hydraulic system

Duty pump	Double variable pump with 2 gear pumps
Flow rate max.	23.8 l/min
Operating pressure for working and traction hydraulics	200 bar
Operating pressure Slewing gear	125 bar
RPM / speed Superstructure	10 rpm
Hydraulic oil tank Contents	19 l

Wheel set

Travel speed max.	5.3 km/h
Chain width	230 mm
Ground clearance Standard undercarriage	210 mm

Dozer Blade

Width	990 mm
Height	230 mm
Stroke Standard dozer blade above ground	200 mm

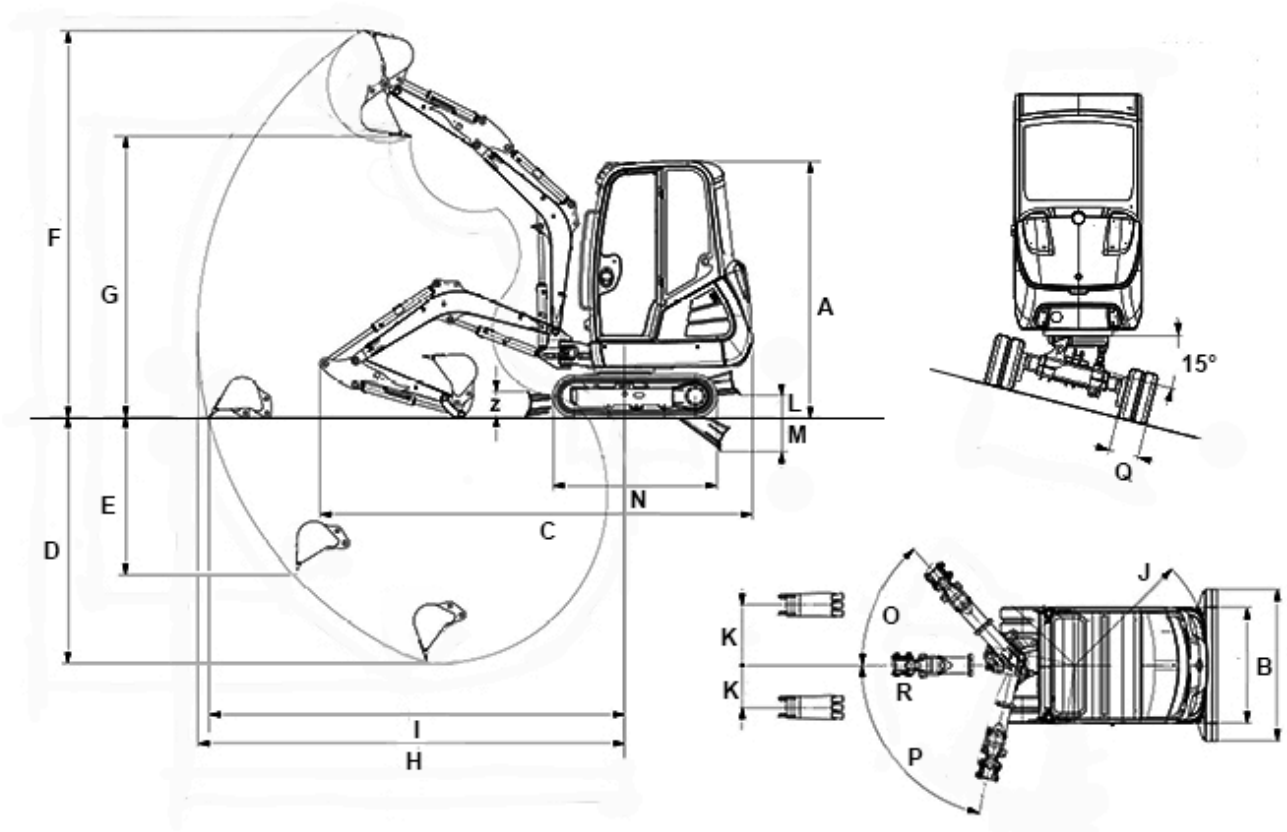


**WACKER
NEUSON**
all it takes!

Stroke Standard dozer blade below ground	320 mm
Sound level	
Sound level (LwA) acc. to 2000/14/EC	93 dB(A)
Cabin - specified sound pressure level LpA acc. to ISO 6394	75.8 dB(A)



Dimensions



VDS

A	Height	2,285 mm	2,392 mm
B	Width Superstructure	990 mm	990 mm
B	Width undercarriage retracted	990 mm	990 mm
B	Width undercarriage extended (telescopic undercarriage only)	1,300 mm	1,300 mm
B	Width Dozer blade	990 mm	990 mm
B	Width Dozer blade width with extension (telescopic undercarriage only)	1,300 mm	1,300 mm
C	Transport length	3,854 mm	3,801 mm
D	Digging depth max. Max. (short dipper stick)	2,202 mm	2,095 mm



D	Digging depth max. Max. (long dipper stick)	2,402 mm	2,295 mm
E	Insertion depth Max., vertikal (short dipper stick)	1,415 mm	1,309 mm
E	Insertion depth Max., vertikal (long dipper stick)	1,600 mm	1,493 mm
F	Insertion height Max. (short dipper stick)	3,447 mm	3,553 mm
F	Insertion height Max. (long dipper stick)	3,558 mm	3,663 mm
G	Dump height max. Max. (short dipper stick)	2,510 mm	2,611 mm
G	Dump height max. Max. (long dipper stick)	2,621 mm	2,722 mm
H	Digging radius max. Max. (short dipper stick)	3,802 mm	3,802 mm
H	Digging radius max. Max. (long dipper stick)	3,989 mm	3,989 mm
I	Range Max. ,on the ground (short dipper stick)	3,700 mm	3,668 mm
I	Range Max. ,on the ground (long dipper stick)	3,894 mm	3,864 mm
J	Rear swivel radius Min.	1,169 mm	1,169 mm
K	Arm displacement Max. , to centre of bucket, right side	516 mm	516 mm
K	Arm displacement Max. , to centre of bucket, left side	359 mm	359 mm
L	Lift height Max., of dozer blade above ground (short)	198 mm	268 mm
L	Lift height Max., of dozer blade above ground (long)	281 mm	357 mm
M	Scraping depth Max., of dozer blade below ground (short)	316 mm	251 mm
M	Scraping depth Max., of dozer blade below ground (long)	381 mm	308 mm
N	Length Total crawler length (standard undercarriage)	1,462 mm	1,465 mm
N	Length Total crawler length (telescopic undercarriage)	1,607 mm	1,607 mm
--	Length Crawler length Sprocket wheel (standard undercarriage)	1,080 mm	1,079 mm
--	Length Crawler length Sprocket wheel (telescopic undercarriage)	1,225 mm	1,224 mm
O	Turning angle Max. of boom system to the right	48 °	48 °



**WACKER
NEUSON**
all it takes!

P	Turning angle Max. of boom system to the left	77 °	77 °
Q	Chain width	230 mm	230 mm
R	Boom slewing radius centre	1,584 mm	1,584 mm
--	Boom slewing radius right	1,503 mm	1,503 mm
--	Boom slewing radius left max.	1,283 mm	1,283 mm
--	Boom slewing radius left lock	1,374 mm	1,374 mm
Z	Height Dozer blade	230 mm	230 mm

Please note

that product availability can vary from country to country. It is possible that information / products may not be available in your country. More detailed information on engine power can be found in the operator's manual; the stated power may vary due to specific operating conditions. Subject to alterations and errors excepted. Applicable also to illustrations.
Copyright © 2016 Wacker Neuson SE.