



EZ80

Tracked Zero Tail Excavators



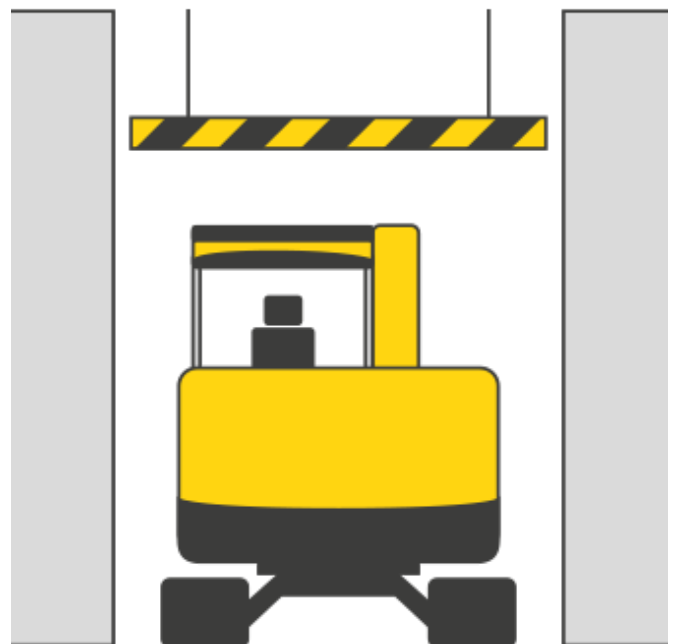
Compact design meets powerful performance

The EZ80 is the biggest zero tail excavator from Wacker Neuson. Compact dimensions, reduced fuel consumption and high performance are united in one machine. With a digging depth of more than 4 meters and an efficient digging power, excavation jobs are completed quickly. Working close to walls or other environmental obstacles provides no issue for this zero tail machine in any operating position. This and its compact design make the EZ80 the first choice excavator when it comes to narrow inner city job sites. On top of that the EZ80 also convinces with up to 20% less fuel consumption and thus significantly reduced operating costs.

- Precise and sensitive operation thanks to the Load Sensing Hydraulic system with LUDV (load-independent flow control).
- Programmable presets by pressing a button, jog dial control system for float volumes per attachment tool – safe and recall.
- Maintenance made easy: the tiltable cabin and the removable chassis cover provide quick and easy access, diagnostic tools offer further support.
- Meets highest quality standards: High-quality materials and excellent workmanship ensure a long service life.

Reduced dimensions

- Significantly lower height and width than comparable competition models
- Easily master tight construction sites and low passages
- Higher level of stability due to the low center of gravity
- Easy to transport

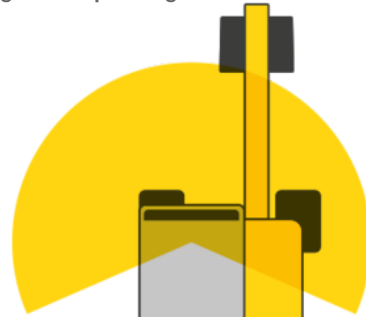




**WACKER
NEUSON**
all it takes!



Cabin, sight and operating comfort



- Innovative solution for the optimal view – boom to the right next to the cabin
- Operator comfort: spacious cabin, air cushioned seat and automatic air-conditioning system
- Innovative front windshield system: two-part windshield can be slid up and moved - rain roof position
- LED headlights for optimal illumination
- Rear camera for more safety when in reverse operation

zero tail – compact all around

- Overall compact dimensions, ideal for working in narrow spaces.
- Zero Tail Excavator for safe operation close to walls, roads, buildings or other surrounding limitations as in inner cities or busy roads.
- Optional counterweights improve stability.





**WACKER
NEUSON**
all it takes!



Jog dial system

- Technology from the auto industry.
- For the direct control of important functions
- Intuitive to operate



Technical specifications

Operating data

Shipping weight min.	7,588 kg
Operating weight	7,918 - 9,208 kg
Biting force max.	43.7 kN
Breakaway force max.	68 kN
Digging depth max.	4,169 mm
Dumping height	4587 - 4749 mm
Dump height max.	4,749 mm
Digging radius max.	7,190 mm
Superstructure slewing speed	9 1/min
L x W x H	6939 x 2250 x 2562 mm

Engine / Motor

Engine / Motor manufacturer	Perkins
Engine / Motor type	404D-22T
Engine / Motor	Water-cooled 4-cylinder turbo diesel engine
Displacement	2,216 cm ³
Engine performance acc. to ISO	36.3 kW
Battery	88 Ah
Fuel tank capacity	85 l

Hydraulic system

Duty pump	axial piston pump
Flow rate	160 l/min
Operating pressure for working and traction hydraulics	300 bar
Operating pressure slewing gear	240 bar
Hydraulic oil tank	92 l

Wheel set

Travel speed max.	4.4 km/h
Chain width	450 mm
Ground clearance	357 mm

Dozer Blade

Width	2,250 mm
Height	504 mm
Stroke above ground	474 mm
Stroke below ground	523 mm



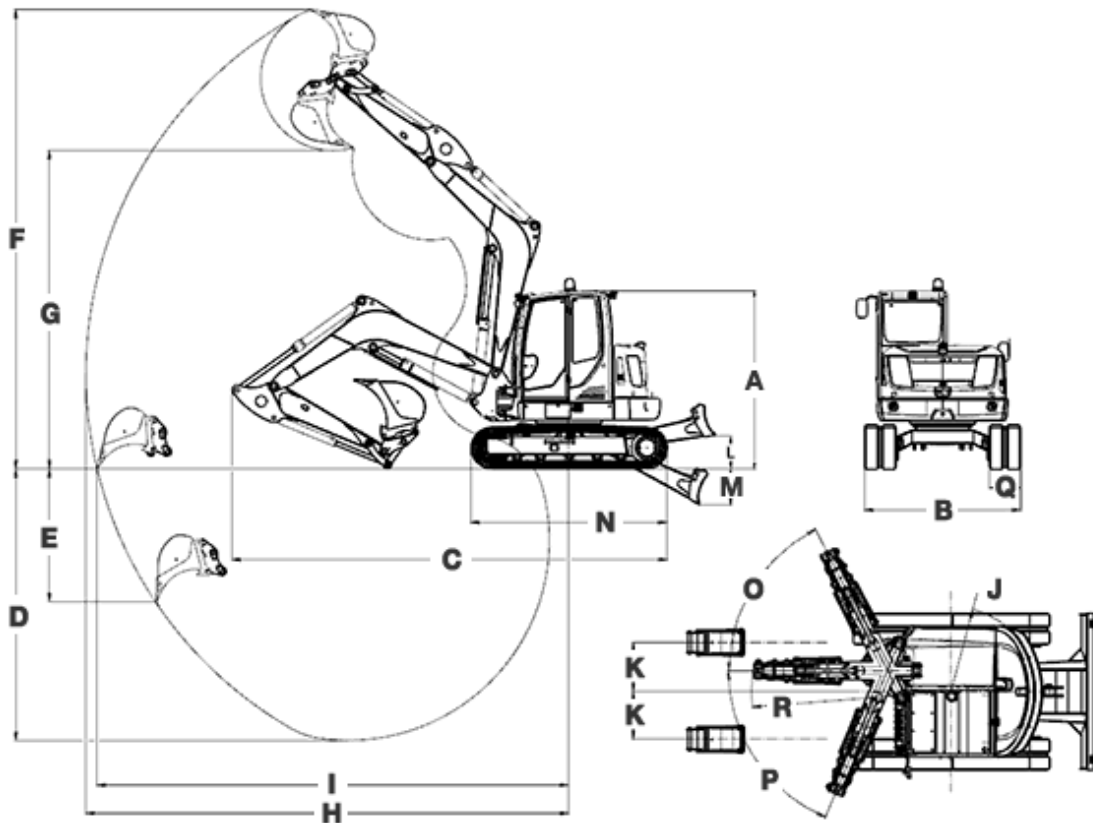
**WACKER
NEUSON**
all it takes!

Sound level

Sound level (LwA) acc. to 2000/14/EC	97 dB(A)
Cabin - specified sound pressure level LpA acc. to ISO 6394	79 dB(A)



Dimensions



		short dipperstick	long dipperstick
A	Height	2,562 mm	2,562 mm
B	Width	2,250 mm	2,250 mm
B	Width of the cabin	1,000 mm	1,000 mm
B	Width of the undercarriage	1,892 mm	1,892 mm
C	Transport length	6,939 mm	6,944 mm
D	Digging depth max. max.	3,919 mm	4,169 mm
E	Insertion depth max.	1,915 mm	2,124 mm
F	Insertion height max.	6,620 mm	6,782 mm
G	Dump height max. max.	4,587 mm	4,749 mm



H	Digging radius max. max.	6,955 mm	7,190 mm
I	Range max. on the ground	6,795 mm	7,036 mm
J	Rear swivel radius w/o counterweight	1,228 mm	1,228 mm
J	Rear swivel radius with counterweight	1,341 mm	1,341 mm
K	Arm displacement max. to middle of bucket right side	705 mm	705 mm
K	Arm displacement max. to middle of bucket left side	683 mm	683 mm
L	Lift height max. levelling blade above formation	474 mm	474 mm
M	Scraping depth max. of levelling blade below formation	523 mm	523 mm
N	Length of running gear	2,826 mm	2,826 mm
O	Turning angle max. arm system to the right	63 °	63 °
P	Turning angle max. arm system to the left	67 °	67 °
Q	Width tracks	450 mm	450 mm
R	Boom slewing radius middle	2,869 mm	2,869 mm
--	Boom slewing radius right	2,724 mm	2,724 mm
--	Boom slewing radius left	2,273 mm	2,273 mm

Please note

that product availability can vary from country to country. It is possible that information / products may not be available in your country. More detailed information on engine power can be found in the operator's manual; the stated power may vary due to specific operating conditions.

Subject to alterations and errors excepted. Applicable also to illustrations.

Copyright © 2016 Wacker Neuson SE.