



TH522

Telehandler



Combines power and maneuverability: TH522

The comfortable telehandler TH522 convinces with a perfect combination of powerful engine output and a high level of maneuverability. Thanks to the all-wheel steering and the compact design, the TH522 is skillfully small. Stacking and transport work can therefore be managed quickly and safely, even in a small space. Equipped with sensitive work hydraulics and a hydrostatic drive as a standard, the TH522 allows for extremely precise maneuvering.

- Innovative driver-assist system VLS (Vertical Lift System)
- Low installation height and width under 2 x 2 meters
- Small inside radius of 1,193 mm.
- Over 5 meters lifting height
- Very good view of the attachment



Technical specifications

Operating data

Weight	4,200 kg
Turning radius Tires	3,281 mm
Total rotation angle of the tool carrier	144 °

Engine / Motor

Engine / Motor manufacturer	Perkins
Engine performance at 2,800 rpm 1/min	36.3 kW
Engine performance at 2,800 rpm 1/min	44.7 kW
Emission standards stage	IIIA

Power transmission

Traction drive	hydrostatic
Speed Stage 1	0-7 km/h
Speed Stage 2 (optional)	0-20 (30) km/h
Service brake central	Parking brake on all four wheels effective
Standard tires	10.5/80-18 AS ETO

Steering and operating hydraulics

Steering angle max.	2x40 °
Flow rate	70 l/min
Flow rate optional	106 l/min

Kinematics

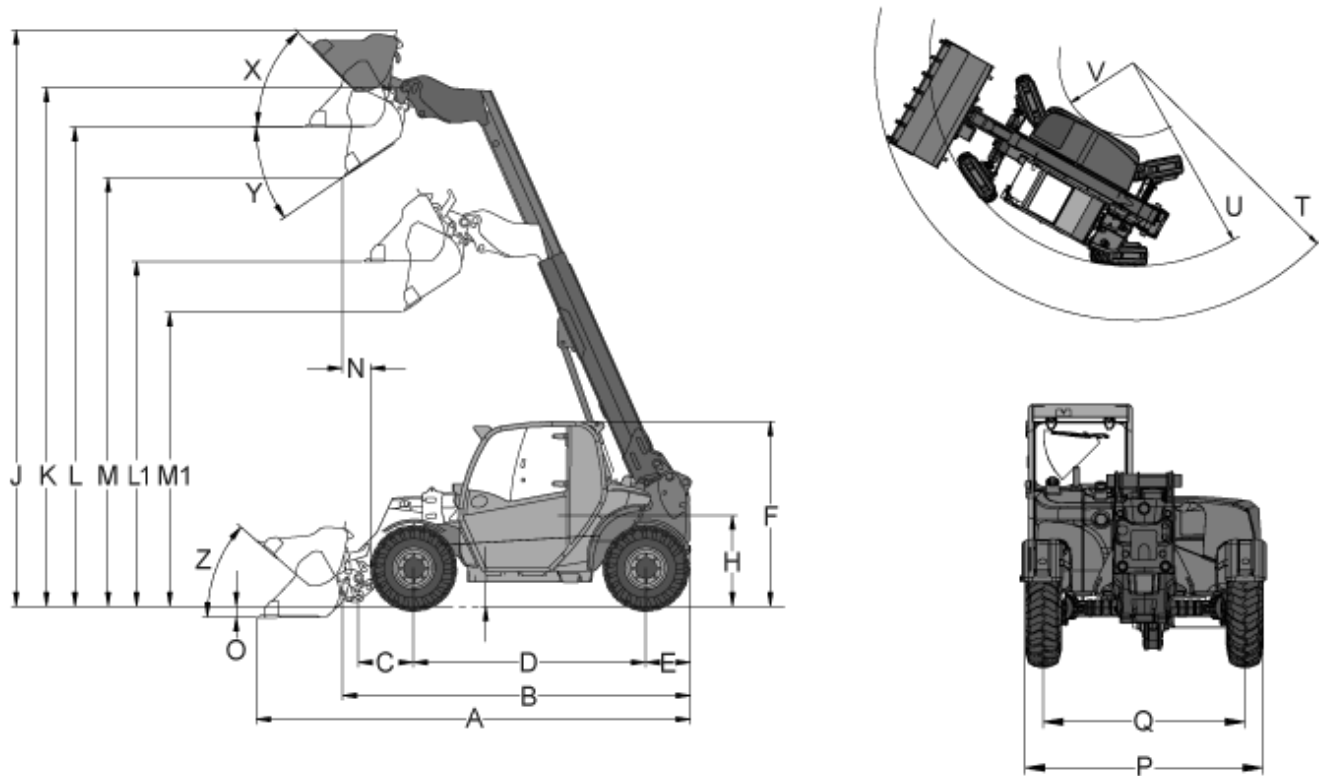
Payload max.	2,200 kg
Lift height Pin height	5,471 mm

Filling capacities

Fuel tank capacity	70 l
Hydraulic oil tank	55 l



Dimensions



	Standard tires	10.5/80-18 AS ETO
A	Overall length	4,576 mm
B	Overall length without bucket	3,747 mm
C	Bucket pivot point to axle center	581 mm
D	Wheelbase	2,449 mm
E	Rear overhang	472 mm
F	Height with cabin	1,950 mm
H	Seat height	962 mm
J	Total operating height	6,074 mm
K	Stroke height max. - bucket pivot point	5,471 mm



L1	Overhead loading height Retracted telescopic arm	3,638 mm
L	Overhead loading height Extended telescopic arm	5,056 mm
M1	Dump height max. Retracted telescopic arm	3,103 mm
M	Dump height max. Extended telescopic arm	4,520 mm
N	Range at M	293 mm
O	Scraping depth	111 mm
P	Overall width	1,808 mm
Q	Track width	1,530 mm
S	Ground clearance	256 mm
T	Radius (max.)	4,153 mm
U	Radius at outer edge	3,281 mm
V	Inside turning radius	1,193 mm
X	Bucket rollback at max. stroke height	46.5 °
Y	Dump angle (max.)	34.5 °
Z	Bucket rollback at ground level	41 °

Please note

that product availability can vary from country to country. It is possible that information / products may not be available in your country. More detailed information on engine power can be found in the operator's manual; the stated power may vary due to specific operating conditions.

Subject to alterations and errors excepted. Applicable also to illustrations.

Copyright © 2016 Wacker Neuson SE.